



Toll Free 866-264-0041

[www.envirocams.com](http://www.envirocams.com)

<b>Model</b>	<b>EC-WF4Domes</b>
Video/Audio Input	
IP Video Input	4-ch
Network	
Incoming Bandwidth	40Mbps
Outgoing Bandwidth	40Mbps
Remote Users	128
Protocols	P2P, UPnP, NTP, DHCP, PPPoE
Video/Audio Output	
HDMI/VGA Output	HDMI: 1920x1080p /60Hz, 1920x1080p /50Hz, 1600x1200 /60Hz, 1280x1024 /60Hz, 1280x720 /60Hz, 1024x768 /60Hz VGA: 1920x1080p /60Hz, 1920x1080p /50Hz, 1600x1200 /60Hz, 1280x1024 /60Hz, 1280x720 /60Hz, 1024x768 /60Hz
Recording Resolution	1080p/960p/720p/D1/2CIF/CIF
Audio Output	1-ch, RCA
Synchronous Playback	4-ch
Corridor Mode Screen	3/4
Decoding	
Decoding format	Ultra 265/H.265/H.264
Live view/ Playback Capability	1080p/960p/720p/D1/2CIF/CIF 4 x 1080P@20, 4 x 720P@30
Hard Disk	
SATA	1 SATA interface
Capacity	Up to 8TB for each HDD
External Interface	
Network Interface	1 RJ45 10M/100M self-adaptive Ethernet Interface
USB Interface	Rear panel : 2 x USB2.0
Wi-Fi	
Frequency	2.4GHz
Transmission Rate	150Mbps
Wireless Standards	IEEE 802.11b/g/n
Wireless Range	160m(open environment)
General	



Toll Free 866-264-0041

[www.envirocams.com](http://www.envirocams.com)

Power Supply	12V DC															
	Power Consumption: $\leq 9$ W( without HDD )															
Working Environment	-10°C ~ + 55°C ( +14°F ~ +131°F ), Humidity $\leq 90\%$ RH(non-condensing)															
Dimensions(W×D×H)	205mm ×228mm ×47mm (8.1" × 9.0"×1.9")															
Weight ( without HDD )	$\leq 0.98$ Kg(2.16lb)															
<b>Model</b>	<b>EC-WF4Domes – Infrared Domes with 2.8mm lens</b>															
Camera																
Sensor	1/2.7", progressive scan , 2.0 megapixel, CMOS															
Lens	2.8 mm@F2.0															
	<table><thead><tr><th>Lens</th><th>Detect(m)</th><th>Observe(m)</th><th>Recognize(m)</th><th>Identify(m)</th></tr></thead><tbody><tr><td>2.8mm</td><td>45</td><td>18</td><td>9</td><td>4.5</td></tr><tr><td>4mm</td><td>64.3</td><td>25.7</td><td>12.9</td><td>6.4</td></tr></tbody></table>	Lens	Detect(m)	Observe(m)	Recognize(m)	Identify(m)	2.8mm	45	18	9	4.5	4mm	64.3	25.7	12.9	6.4
Lens	Detect(m)	Observe(m)	Recognize(m)	Identify(m)												
2.8mm	45	18	9	4.5												
4mm	64.3	25.7	12.9	6.4												
DORI Distance																
Angle of View (H)	107.8°															
Angle of View (V)	56.7°															
Angle of View (O)	140.2°															
Adjustment angle	Pan: 0°~360° Tilt: 0°~90° Rotate: 0°~360°															
Shutter	Auto/Manual, 1/6~1/100000 s															
Min. Illumination	Colour: 0.01 Lux (F2.2, AGC ON) 0 Lux with IR															
Day/Night	IR-cut filter with auto switch (ICR)															
Digital noise reduction	2D/3D DNR															
S/N	>52dB															
IR Range	Up to 30m (98 ft) IR range															
Defog	Digital Defog															
WDR	DWDR															
Video																
Video Compression	Ultra 265, H.265, H.264, MJPEG															
H.264 code profile	Baseline profile, Main Profile, High Profile															
Frame Rate	Main Stream:2MP (1920×1080): Max. 20 fps; Sub Stream: 2MP (1920×1080): Max. 20 fps; Third Stream:D1 (720×576): Max. 20 fps															
9:16 Corridor Mode	Supported															
HLC	Supported															
BLC	Supported															
OSD	Up to 4 OSDs															
Privacy Mask	Up to 4 areas															

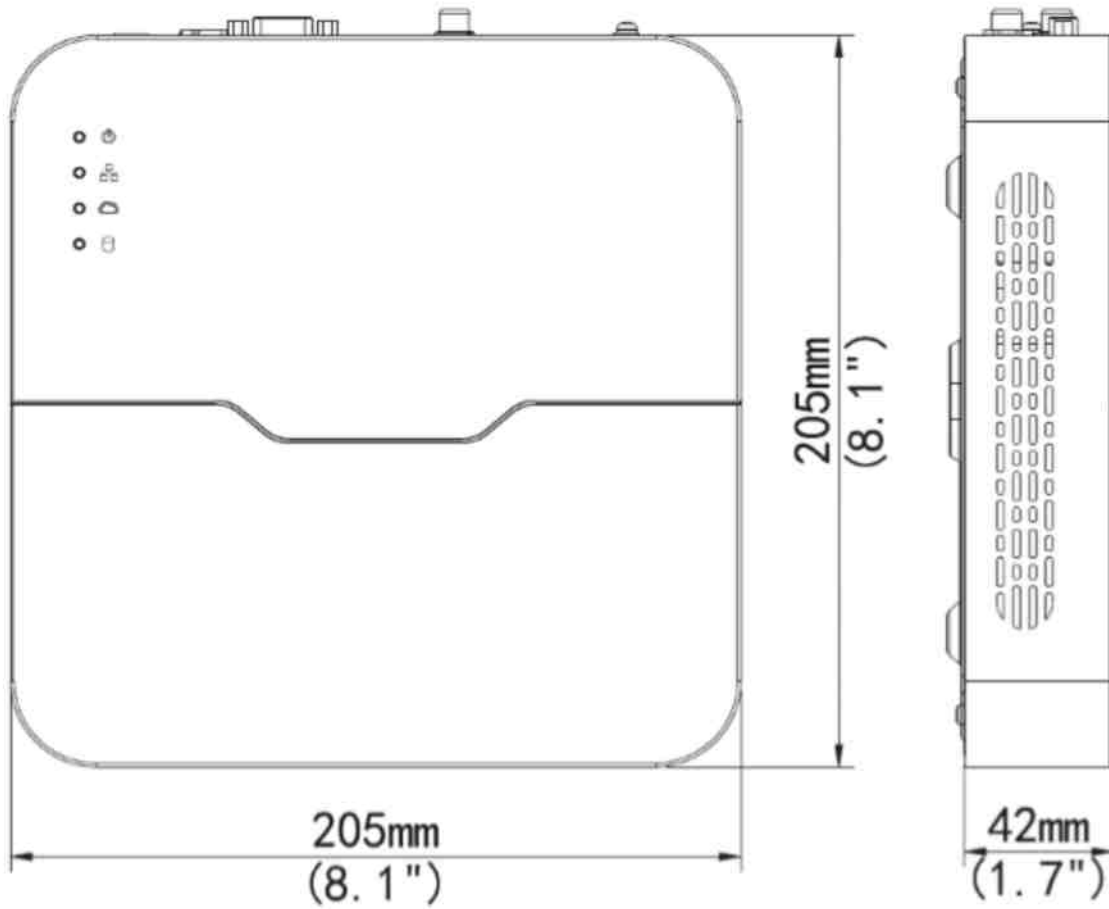


[www.envirocams.com](http://www.envirocams.com)

Toll Free 866-264-0041

ROI	Up to 8 areas
Motion Detection	Up to 4 areas
General Function	Watermark, IP Address Filtering, Tampering Alarm, Access Policy, ARP Protection, RTSP Authentication, User Authentication,
Storage	
Edge Storage	Micro SD, up to 128 GB
Network Storage	ANR
Network	
Protocols	IPv4, IGMP, ICMP, ARP, TCP, UDP, DHCP, PPPoE, RTP, RTSP, RTCP, DNS, DDNS, NTP, FTP, UPnP, HTTP, HTTPS, SMTP,
Compatible Integration	ONVIF(Profile S, Profile G), API
Wi-Fi	
Wireless Standards	IEEE802.11b/g/n
Frequency Range	2.4 GHz ~ 2.4835 GHz
Channel Bandwidth	20/40MHz Support
Modulation Mode	802.11b: CCK, QPSK, BPSK 802.11g/n: OFDM
Security	64/128-bit WEP, WPA/WPA2, WPA-PSK/WPA2-PSK, WPS
Transmit Power	802.11b: 17±1.5dBm @11Mbps 802.11g: 14±1.5dBm @ 54Mbps 802.11n: 12.5±1.5dBm
Receive Sensitivity	802.11b: -90dBm @ 11Mbps (Typical) 802.11g: -75dBm @ 54Mbps (Typical) 802.11n: -74dBm (Typical)
Transmission Rate	802.11b: 11Mbps 802.11g: 54Mbps 802.11n: up to 150Mbps
Interface	
Network	1 RJ45 10M/100M Base-TX Ethernet
General	
Power	12 V DC(+/-25%) Power consumption: Max 5.5W
Dimensions (Ø x H)	Φ108.5 x 81 mm (Ø4.28" x 3.2")
Weight	0.45 kg (0.99 lb)
Working Environment	-30°C ~ +60°C (-22°F ~ 140°F), Humidity:10%~90% RH(non-condensing)
Ingress Protection	IP67
Vandal Resistant	IK10

## Dimensions



## Rear Panel

