

TAGSHOTIP

ENVIRO
cams

IP LPR CAMERA



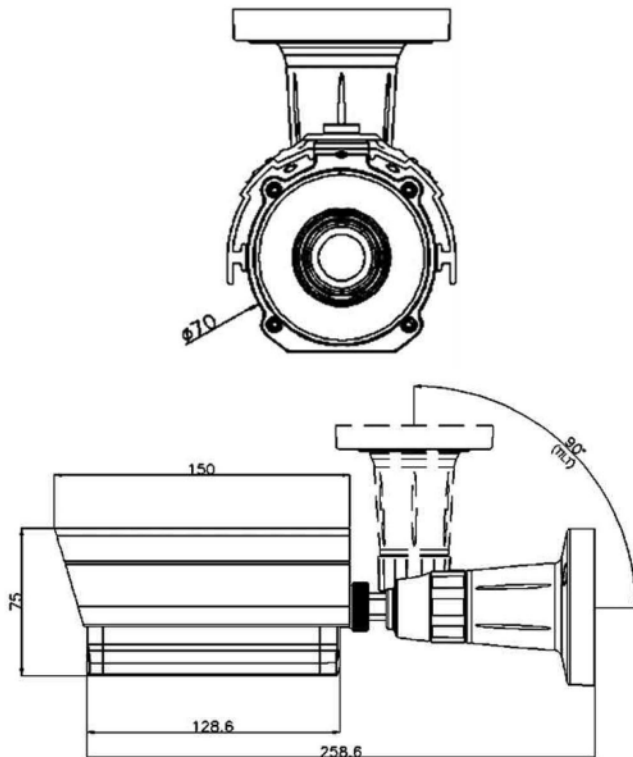
Main Features

- 1/2.8" 2.13M Sony Exmor & Starvis CMOS Sensor
- 2-Motor f=5~50mm M/P Lens (Semi Auto-focus Lens)
- 5 x 850nm SR-LEDs & 25 x 850nm IR LEDs [B/W Images]
- **Max. 15M Recognition Distance (Max. 50Km/h)**
- B/W Images for both Day & Night
- POE Interface Built-in
- Onvif Ver. 2.4 Compatible with H.264 and MJPEG



Specifications

Dimension



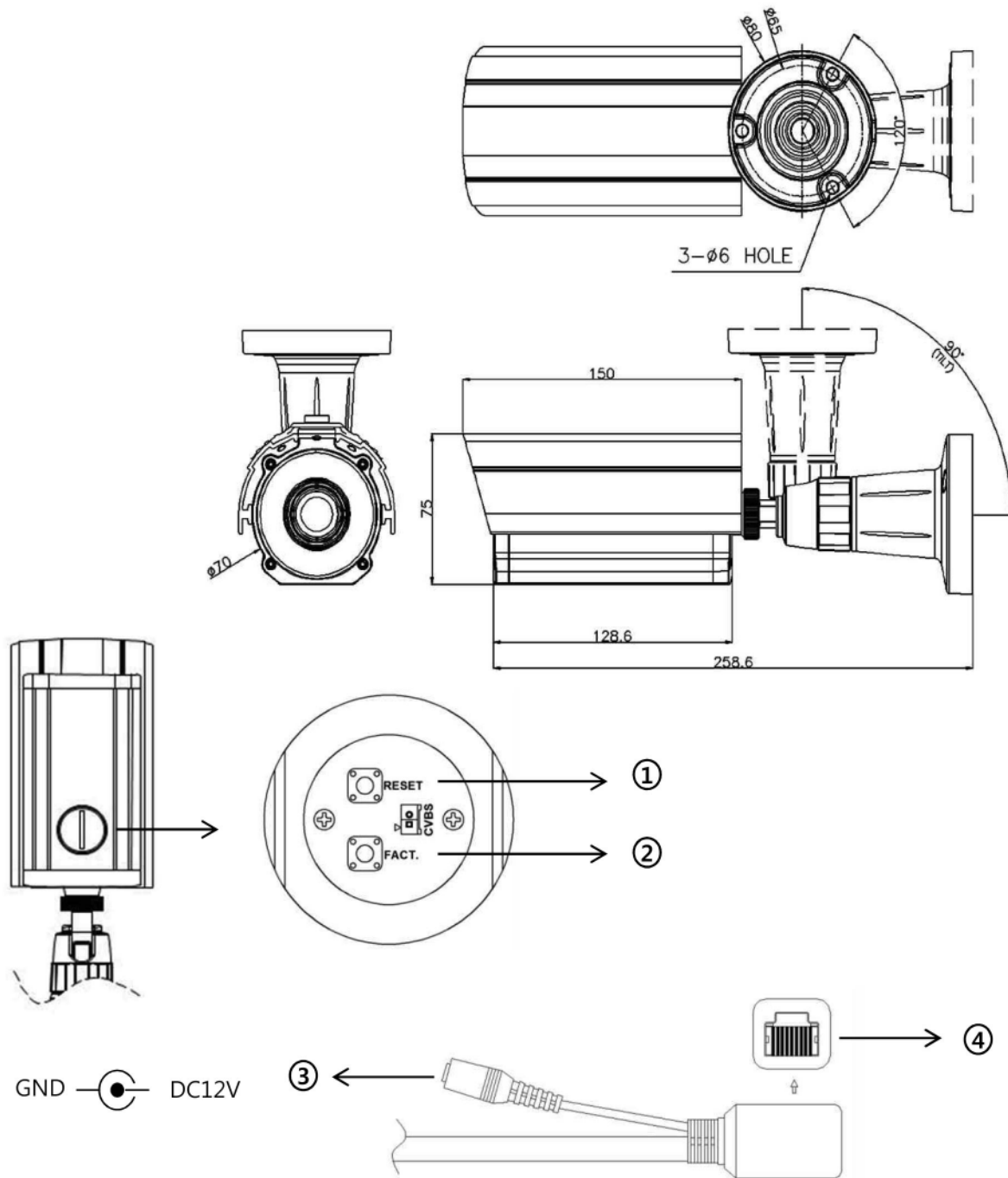
Option

- Multi-port Cable (Sensor / Audio)

Model	EC-NPP-TagShotIP
Signal System	IP (Network) – Embedded Linux
Pickup Device	1/2.8"(D-6.4mm) 2.13M SONY Exmor/Starvis CMOS
Scanning System	Progressive Scan (16:9)
Total Pixels	2.16M [1945(H)x1109(V)]
Active Pixels	2.13M [1945(H)x1097(V)]
Min. Illumination	0Lux(Continuous IR on)
No. of IRED	5ea SR-LED and 25ea 5Ø (850nm)
S/N Ratio	More than 50dB (AGC off)
Video Out (RJ45)	Up to 30fps @ 1920x1080p (1920x1080, 1280x1024, 1280x960, 1280x720, 1024x768, 640x480, 320x240)
Lens	2-Motor Semi Auto-Focus Vari-focal f=5~50mm, F1.4
Lens (Mount)	Board type (Ø14)
Angle of View	58.7°~8.7°(D), 51.4°~7.6°(H), 29°~4.3°(V)
OSD	Via Webpage Viewer
Camera Title	Off, On(Max. 10 Characters)
Language	English, Korean
Exposure	DC
White Balance	Auto, Push, Indoor, Outdoor, Fluorescent, User
HLC	Off
Day & Night Mode	B/W for Day & Night
Gain Control	AGC (0.1dB~8dB)
Electronic Shutter	1/500sec
Noise Reduction	Off, On (2D-NR, 3D-NR)
DSS(Sens-up)	N/A
Mirror	Off, On(Mirror, Flip, Rotate)
Other Features	Motion Detection (4 Zones), Privacy Mask (8 Zones), Defog, Lens Shading Compensation etc.
Network Protocol	TCP/IP, UDP/IP, RTP, RTSP, RTCP, NTP, HTTP, DHCP, FTP, SMTP, DNS, DDNS, Onvif 2.4
At-a-time Access	Maximum 10 users
Video/Audio Codec	H.264, MJPEG / G.711 (Triplex Streaming) Streaming RTP/RTSP supported
Sensor In/Alarm Out	Option (1 / 1)
Audio Line In/Out	Option (1 / 1, Two-way Audio)
Power Source	DC12V / POE Built-in
Power Consumption	Less than 9Watts (750mA)
Operating Temp.	-10℃ ~ 55℃ (Humidity :0%RH ~ 90%RH)
Size (mm)	70Ø (Bullet Diameter)
Weight	1,262 g (gift-box packing)

TAGSHOTIP

IP LPR CAMERA



	Function	I/O	Note	Remarks
①	RESET	N/A	Restart the camera	
②	FACTORY RESET	N/A	Push the switch down and hold for over seven seconds	
③	POWER	IN	Camera power input (Not required when POE works)	DC12V
④	VIDEO/POE/CONTROL	IN/OUT	H.264 video output, Power over Ethernet, Control (RJ45)	

IP LPR CAMERA

- **IP camera connection**

Connect LAN cable to RJ45 jack of camera

Connect the other end LAN cable to RJ45 jack of router or hub

If you are not using POE switcher to provide the power to the IP camera, connect regulated a DC12V power adaptor to the IP camera.

Wait for about 50 seconds until the camera initialization is completed

Factory Default IP address is **192.168.1.30**

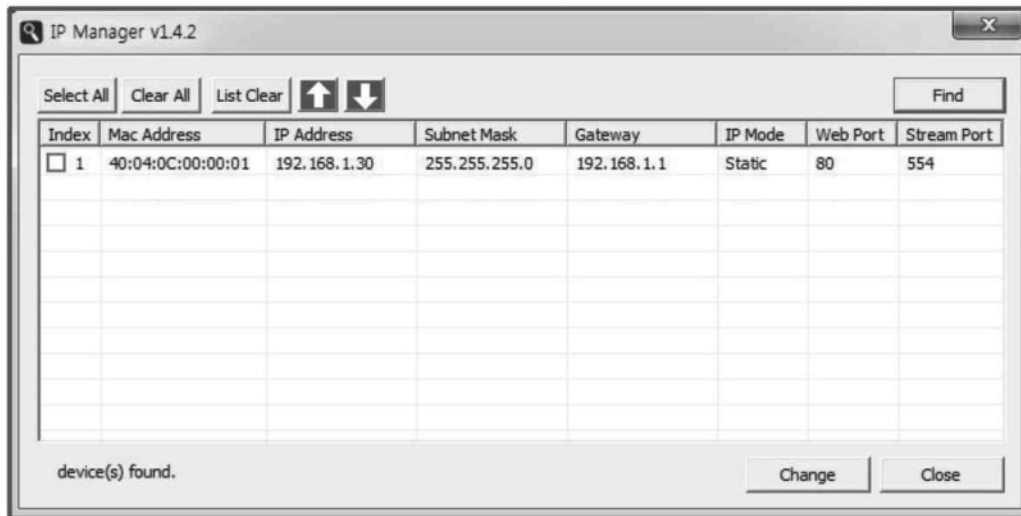
Factory Default ID & Password are **admin / admin.**

- **Using IP manager**

You can simply change the IP address by using ‘IP Manager’ provided.

Run IP manager as administrator.

click “Find” button when the IP camera is connected to your PC or network, all IP address will appear.



Choose & change the IP address of camera you want to change and click “change” Button



After click the “change” button left window will be appeared. Once you click “change” button, the camera will reboot for 10second.

After reboot the camera, the changed IP address will be applied and appeared.

- **Checking Video by Web Viewer**

Run web browser and Input the IP address which taken from IP manager.

- **Supported O/S & Web Browser**

- O/S : Windows7, 8, 10, MAC

- Browser : Internet Explorer 11 or higher, Firefox, Safari, Opera

- * Monitoring videos can be operative only under IE with Active-X installation.