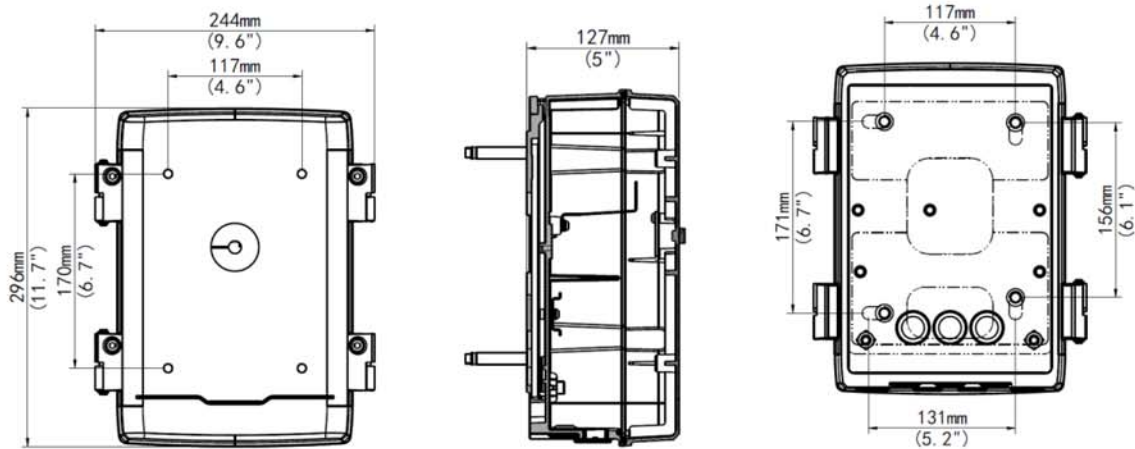




## Specifications

Model	
Application	Outdoor or indoor cable junction box for PTZ Dome series
Dimensions	296mmx244mmx127mm (11.7" x9.6" x5")
Weight	2.5kg(5.5lb)
Material	Aluminium alloy

## Dimensions



**PTZ Wall Mount included with Camera**